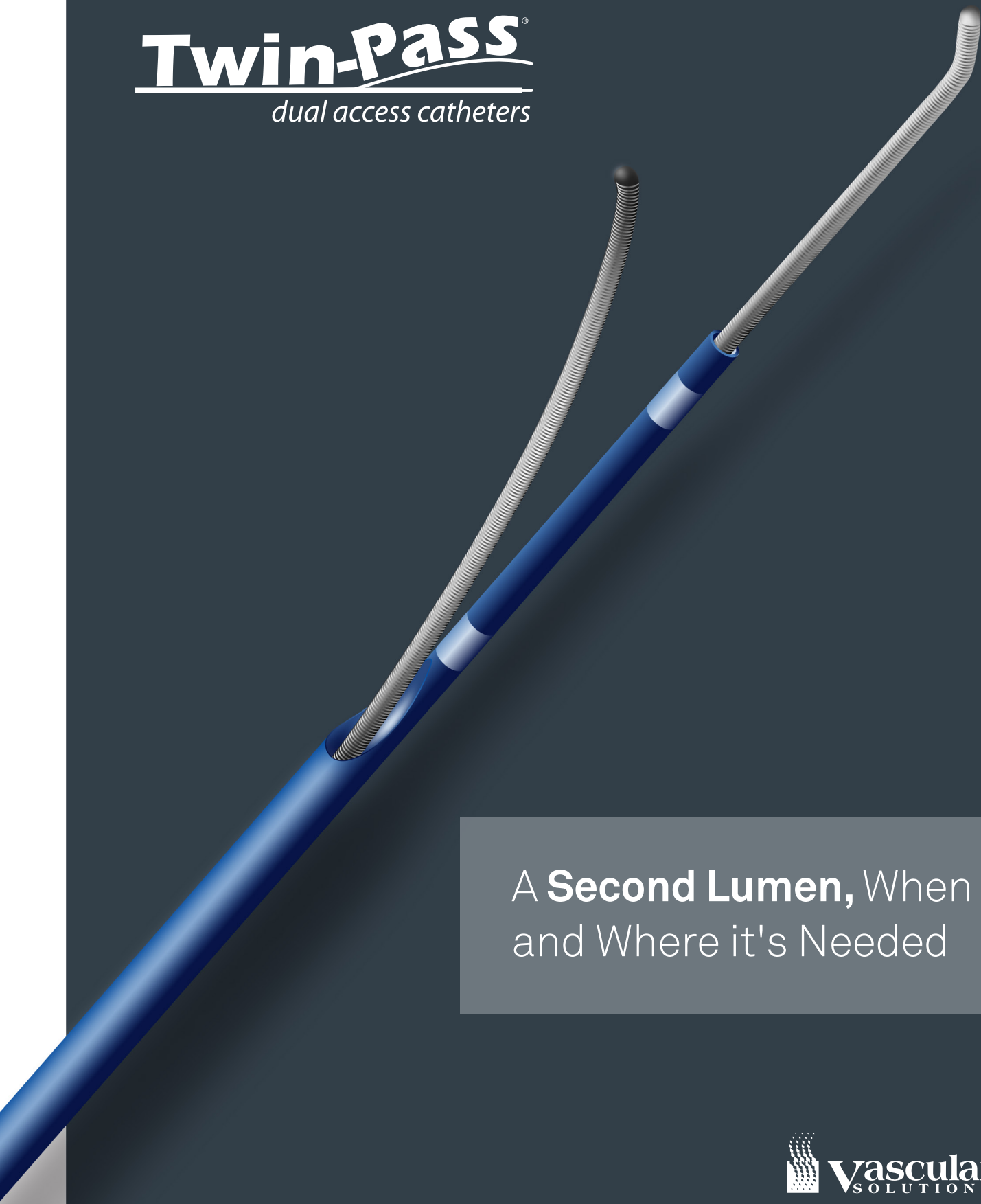


Twin-Pass[®]

dual access catheters

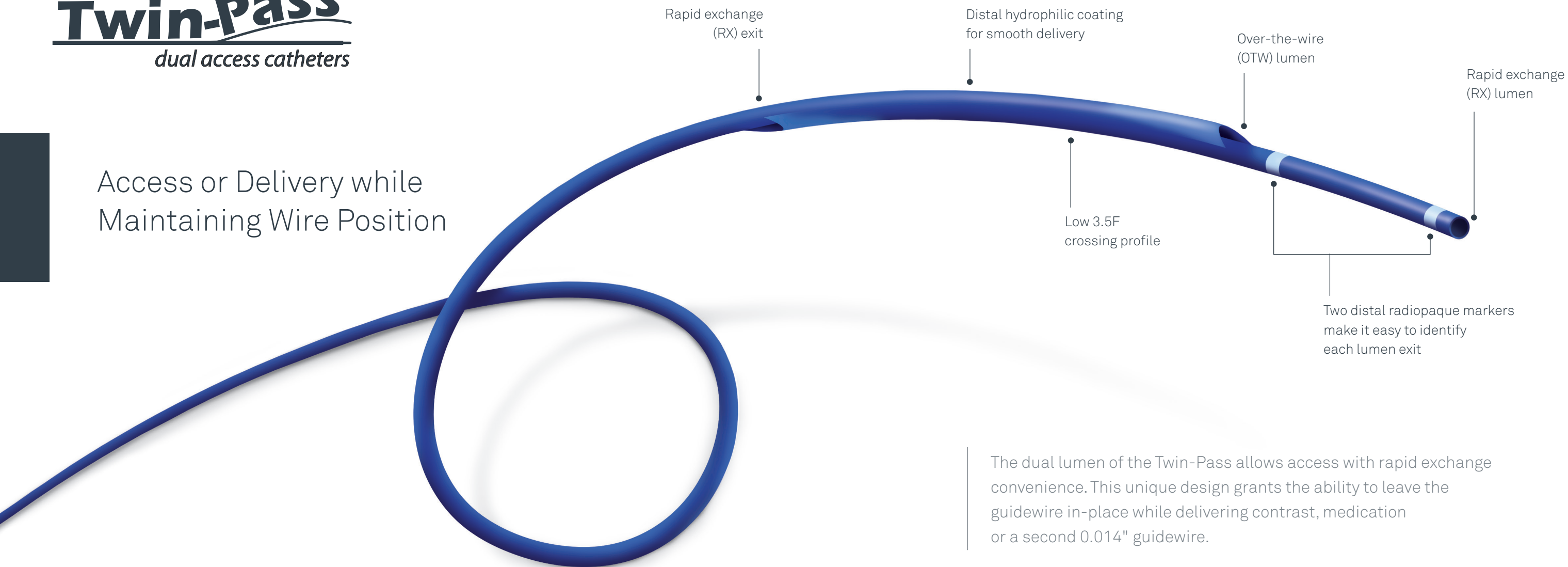


A **Second Lumen**, When
and Where it's Needed

Twin-Pass[®]

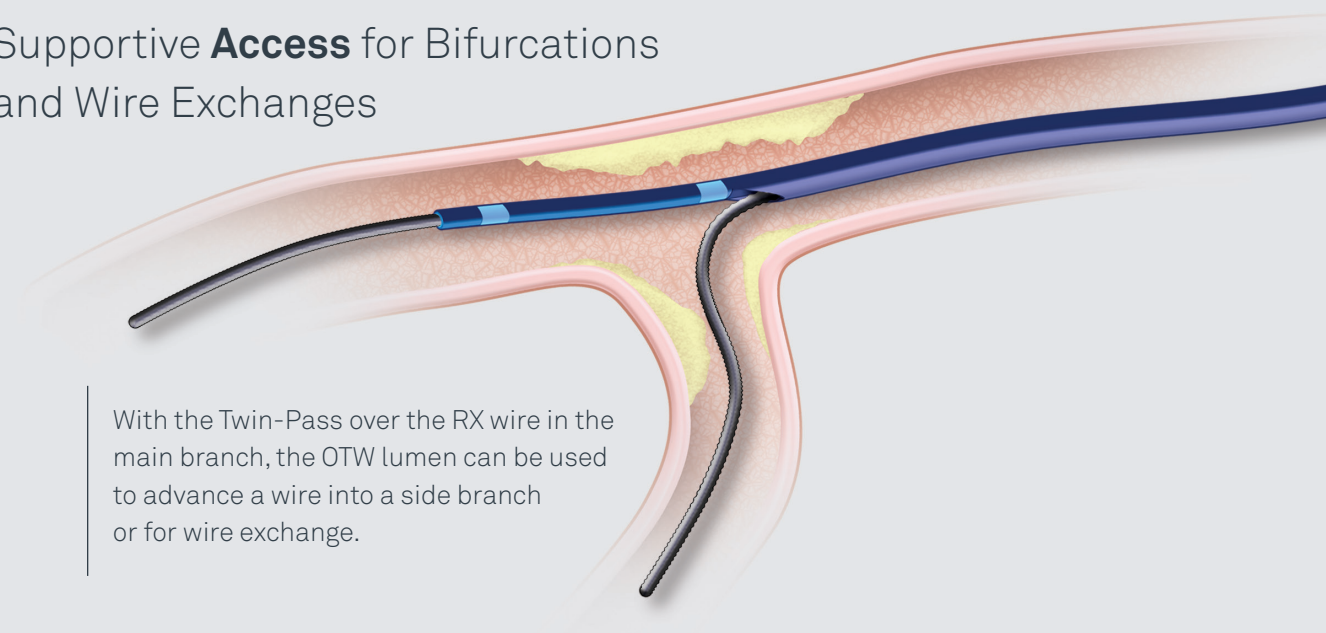
dual access catheters

Access or Delivery while
Maintaining Wire Position



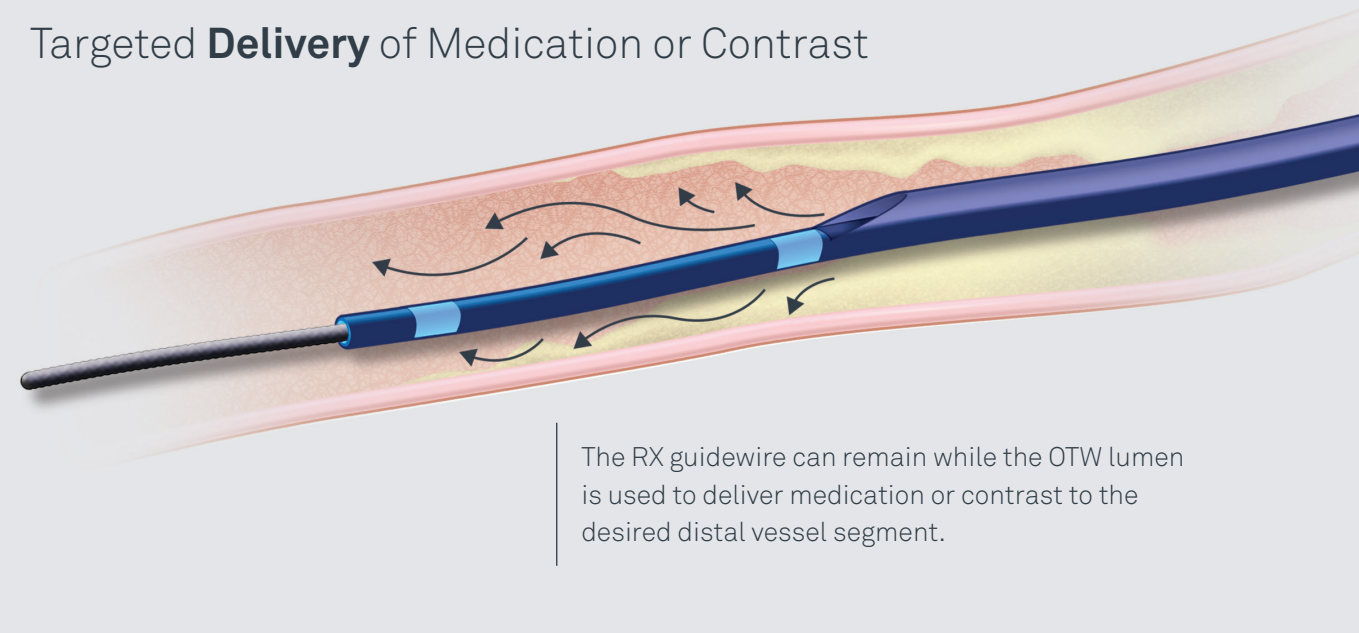
The dual lumen of the Twin-Pass allows access with rapid exchange convenience. This unique design grants the ability to leave the guidewire in-place while delivering contrast, medication or a second 0.014" guidewire.

Supportive **Access** for Bifurcations
and Wire Exchanges



With the Twin-Pass over the RX wire in the main branch, the OTW lumen can be used to advance a wire into a side branch or for wire exchange.

Targeted **Delivery** of Medication or Contrast



The RX guidewire can remain while the OTW lumen is used to deliver medication or contrast to the desired distal vessel segment.

Twin-Pass[®]

dual access catheters

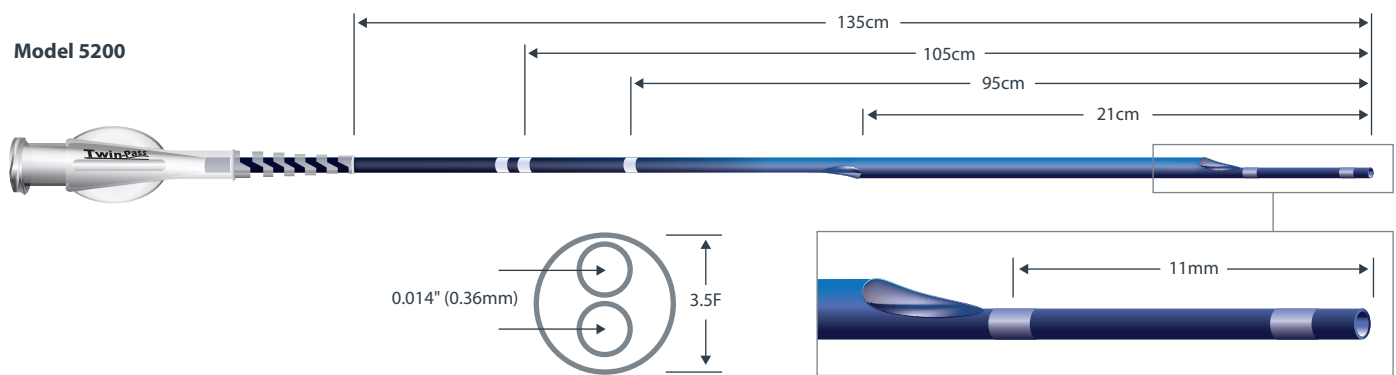
The Twin-Pass catheters are intended to be used in conjunction with steerable guidewires in order to access discrete regions of the coronary and peripheral arterial vasculature, to facilitate placement and exchange of guidewires and other interventional devices, and for use during two guidewire procedures.

The Twin-Pass catheter is also used to sub selectively infuse/deliver diagnostic or therapeutic agents.

Model	Description	Box Quantity
5200	Twin-Pass Dual Access Catheter	1

Specifications	Twin-Pass Model 5200
Guide catheter compatibility	≥6F (0.066" min. I.D.)
Guidewire compatibility – RX lumen	≤ 0.014" (0.36mm)
Guidewire compatibility – OTW lumen	≤ 0.014" (0.36mm)
Inner diameter – RX lumen	0.017" (0.43mm)
Inner diameter – OTW lumen	0.018" (0.46mm)
Outer diameter – across both lumens	3.5F
Distal tip profile	2F x 12mm
Working length	135cm
RX lumen length	21cm
Proximal lumen exit	Approximately 12mm from tip
Distal radiopaque marker	1mm from tip
Proximal radiopaque marker	11mm from tip
Hydrophilic coating length	Distal 18cm
Positioning Marks	95cm (single) and 105cm (double) from distal tip

Packaged in quantities of 1 unit per box.



Please see the Instructions for Use for a complete listing of the indications, contraindications, warnings and precautions.

CAUTION: Federal Law (U.S.A.) restricts this device to sale by or on the order of a physician.

Twin-Pass is a registered trademark of Vascular Solutions, Inc.

©2015 Vascular Solutions, Inc. All rights reserved. ML3156 Rev. A 12/15



Vascular Solutions, Inc.
6464 Sycamore Court North
Minneapolis, Minnesota 55369 USA

Customer Service:
United States: 888.240.6001
International: (001) 763.656.4298
customerservice@vasc.com
www.vasc.com